



STINGER

ATTACHMENTS



**SKID STEER
UTILITY TRACTOR
COMPACT TRACTOR
ATTACHMENTS CATALOG**

HIGH QUALITY INDUSTRIAL ATTACHMENTS

507.273.7497

www.StingerAttachments.com

WHO WE ARE

Stinger Attachments is a metal manufacturing company that is based out of southern Minnesota, USA. We began by building a variety of skid steer attachments for local farms and construction companies, and customer demand grew. Through the process of developing these attachments, our interest and knowledge and skill in manufacturing and fabricating grew. We went on to develop additional attachments and sold them under the Stinger Attachments brand, which is what we are known as today. Customer satisfaction has always been our priority. Over the years we have developed what we believe are superior products at a fair price to offer the most value to you, our customers.

HOW WE DO IT

We have a team of highly skilled craftsmen that have mastered the manufacturing process. We utilize top-of-the-line fabrication equipment and a strict manufacturing process to achieve high productivity standards with consistency accuracy and efficiency. Through this process we are able to offer a quick turnaround time and a product that is superior in quality at a competitive price. Unlike other companies in our field, we display our prices online. This gives you, the customer, the advantage of having the necessary purchasing information at hand to make purchasing our products quick, simple, and easy. You can expect to receive an in-stock item anywhere in the us within a few days of placing your order.

WHY WE CARE

We know firsthand from working on farms and construction sites the value of reliable products. We have experienced broken equipment and realize that downtime is not an option. Through our combined experiences as craftsmen and appreciation for this type of work we were able to create Stinger Attachments. To put it simply, we developed a high quality product that is built to last at a fair price, offering you the most value for your money. We are confident that you will be impressed by the products that we have to offer. Our products were made with you in mind, to keep your life running smoothly.

Stinger Attachment Warranty

Stinger Attachments warrants each new product manufactured by us to be free from defects in material and workmanship for a period of twelve (12) months from date of delivery to the original purchaser. All returns must be in new condition with all freight costs the responsibility of the buyer. No returns accepted after 10 days of buyer receiving the product.



TABLE OF CONTENTS

Material/Dirt Buckets.....	5-8
Tooth Bucket.....	9
Liquid Slurry Bucket.....	10
Clam Grapples.....	11-13
Compact Clam Grapple.....	11
Clam Grapple.....	12
Clam Grapple Exxtreme	13
Rock Buckets.....	14
Grapple Buckets.....	15-22
Rock Grapple RG-Series.....	15-16
Rock Grapple ROG-Series.....	17-18
Root/Rock Grapple RRG-Series.....	19
Root Grapple RTG.....	20
Root Grapple RTG-XD-Series.....	21
Demolition Grapple DG-Series.....	22
Manure Buckets	23-26
Tree Removal.....	27-29
Tree Puller.....	27
Stump Bucket.....	28
Stump Grapple.....	29
Land Planes	30
Soil Conditioner.....	31
Concrete Equipment.....	32-33
Brooms & Sweepers.....	34-35
Auger Drives.....	36
Trenchers.....	37-39
Hay Equipment.....	40-43
Pallet Forks.....	44-45
Receiver Hitch.....	46
Snow Equipment.....	47-49
Reference Charts.....	50-51

MATERIAL BUCKETS

The Stinger Attachments Series 1 Material Bucket features our standard height and depth. This bucket is a great fit for utility tractors and small to medium frame skid steer machines. The standard height design allows for excellent visibility of the cutting edge from most cabs. The rolled insert provides added strength and aids in easy cleanout.



Bucket sizes 60 in | 66 in | 72 in | 78 in | 84 in

Options 3/4" x 8" Weld on Cutting Edge | 3/4" x 6" Bolt-on Cutting Edge

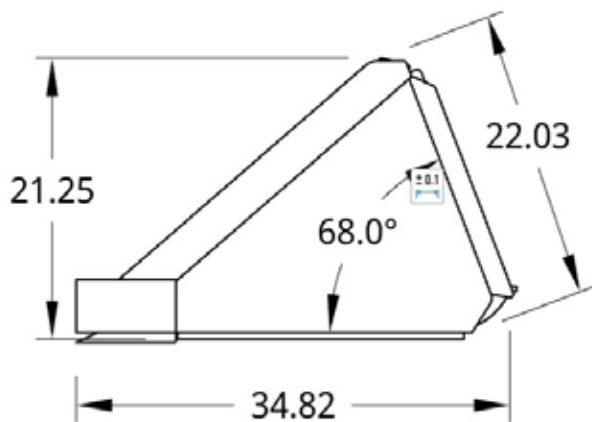
Other Carrier Options Available

*** Proper Ballast Required**

Features

- 3/16" Grade 50 Shell (1/4" Optional)
- Top Reinforcement Tube
- 1/4" Sides
- 1/2" x 4" Underside Wear Bars
- Safety Step
- Rolled Insert for Strength and Cleanout

Series 1



Product Specifications

Size	Approx Lbs (Bolt-on)	Struck Capacity (Cu.ft)	Heap Capacity (Cu.Ft.)	Back Angle	# of 1/2"x4" Wear Bars
60"	511 lbs	10	12.5	68 deg	4
66"	544 lbs	11	13.75	68 deg	4
72"	575 lbs	12	15	68 deg	4
78"	618 lbs	13	16.25	68 deg	5
84"	650 lbs	14	17.5	68 deg	5

MATERIAL BUCKETS



The Stinger Attachments Series 2 Material Bucket features our standard height with a deep bottom. This bucket is engineered to provide maximum capacity with a standard back height. This bucket is a great fit for compact tractors and medium to large frame skid steers. The standard height design allows for excellent visibility of the cutting edge from most cabs.

Bucket sizes 60 in | 66 in | 72 in | 78 in | 84 in

Options ¾" x 8" Weld on Cutting Edge | ¾" x 6" Bolt-on Cutting Edge

Other Carrier Options Available

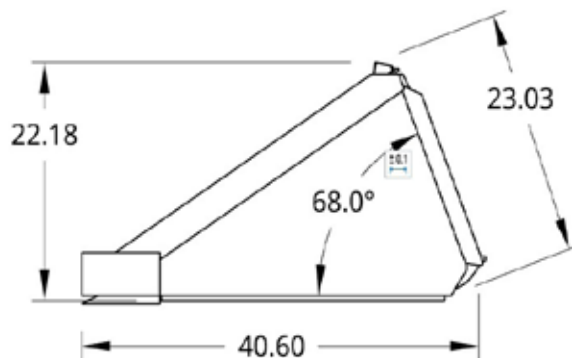
*** Proper Ballast Required**

Series 2



Features

- 3/16" Grade 50 Shell (1/4" Optional)
- Top Reinforcement Tube
- ¼" Sides
- ½" x 4" Underside Wear Bars
- Safety Step
- Rolled Insert for Strength and Cleanout



Product Specifications

Size	Approx Lbs (Bolt-on)	Struck Capacity (Cu.ft)	Heap Capacity (Cu.Ft.)	Back Angle	# of 1/2"x4" Wear Bars
60"	555 lbs	11.9	14.8	68 deg	4
66"	590 lbs	13	16.25	68 deg	4
72"	623 lbs	14.3	17.9	68 deg	4
78"	671 lbs	15.5	19.4	68 deg	5
84"	705 lbs	16.7	20.9	68 deg	5

MATERIAL BUCKETS

The Stinger Attachments Series 3 Material Bucket is a step up in capacity from our Series 2 with the taller height and longer depth. This allows the operator to move more total product in one load. This bucket is a great fit for larger skid steers, utility tractors, and compact payloaders.



Bucket sizes 60 in | 66 in | 72 in | 78 in | 84 in

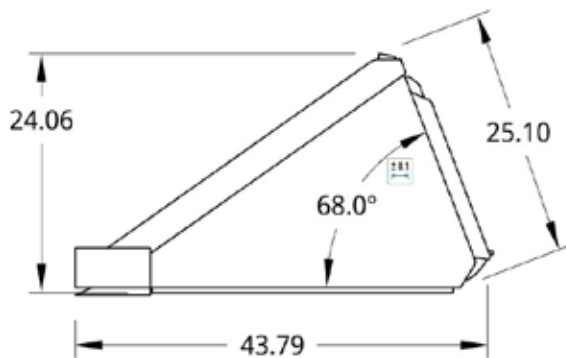
Options 3/4" x 8" Weld on Cutting Edge | 3/4" x 6" Bolt-on Cutting Edge

Other Carrier Options Available

** Proper Ballast Required*

Features

- 3/16" Grade 50 Shell (1/4" Optional)
- Top Reinforcement Tube
- 1/4" Sides with 1/2" braces
- 1/2" x 4" Underside Wear Bars
- Safety Step
- Rolled Insert for Strength and Cleanout



Series 3



Product Specifications

Size	Approx Lbs (Bolt-on)	Struck Capacity (Cu.ft)	Heap Capacity (Cu.Ft.)	Back Angle	# of 1/2"x4" Wear Bars
60"	614 lbs	14.2	17.8	68 deg	4
66"	653 lbs	15.6	19.5	68 deg	4
72"	690 lbs	17	21.3	68 deg	4
78"	743 lbs	18.5	23	68 deg	5
84"	780 lbs	19.9	23.8	68 deg	5

MATERIAL BUCKETS



The Stinger Attachments Series 4 Material Bucket is a step up in capacity from our Series 3 with a taller height. Series 4 also comes standard with a 1/4" shell. This is a high capacity bucket that is extremely durable and a great fit for larger skid steers, utility tractors, and compact payloaders.

Bucket sizes 60 in | 66 in | 72 in | 78 in | 84 in

Options 3/4" x 8" Weld on Cutting Edge | 3/4" x 6" Bolt-on Cutting Edge

Other Carrier Options Available

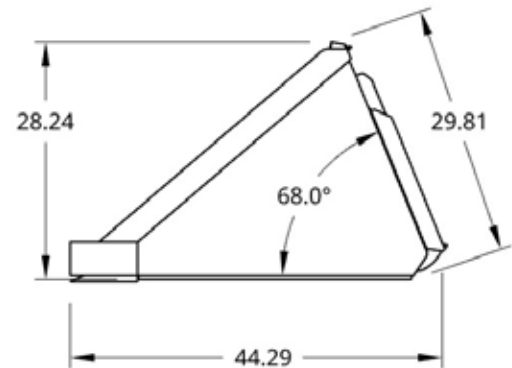
*** Proper Ballast Required**

Series 4



Features

- 1/4" Grade 50 Shell
- Top Reinforcement Tube
- 1/4" Sides with 1/2" braces
- 1/2" x 4" Underside Wear Bars
- Safety Step
- Rolled insert for Strength and Cleanout



Product Specifications

Size	Approx Lbs (Bolt-on)	Struck Capacity (Cu.ft)	Heap Capacity (Cu.Ft.)	Back Angle	# of 1/2"x4" Wear Bars
60"	690 lbs	17.2	21.5	68 deg	4
66"	755 lbs	19	23.8	68 deg	4
72"	820 lbs	20.7	25.9	68 deg	4
78"	885 lbs	22.5	28	68 deg	5
84"	950 lbs	24.2	30.0	68 deg	5

TOOTH BUCKET

The Stinger Attachments Tooth Bucket is designed to penetrate hard ground and provide maximum digging capabilities. This bucket features Series 2 Material Bucket dimensions with a deep bottom to provide maximum capacity with a standard back height. The standard height design allows for excellent visibility of the cutting edge from most cabs. The Romac teeth are also replaceable.



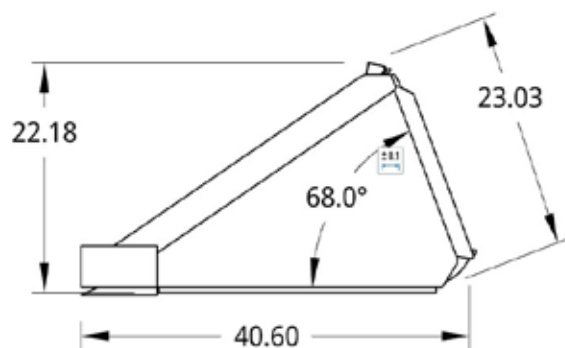
Bucket sizes 60 in | 66 in | 72 in | 78 in | 84 in

Other Carrier Options Available

** Proper Ballast Required*

Features

- 1/4" Grade 50 Shell
- Top Reinforcement Tube
- 1/4" Sides with 1/2" braces
- 1/2" x 4" Underside Wear Bars
- Romac pin-on Teeth
- Safety Step
- Rolled Insert for Strength and Cleanout



Tooth Bucket



Product Specifications

Size	Weight	Approx Cu. Ft.	Back Angle	Wear Bars 1/2x4	# of Teeth
60"	775 lbs	16	68 deg	4	7
66"	800 lbs	18	68 deg	4	7
72"	825 lbs	20	68 deg	4	8
78"	850 lbs	21	68 deg	4	8
84"	875 lbs	23	68 deg	4	9

LIQUID SLURRY BUCKET



The Stinger Attachments Liquid Slurry Bucket is ideal for liquid slurry type products. This is an extremely high volume bucket that is designed to carry a full load of liquid slurry. The 60 degree back angle allows for increased rollback, which enables the operator to level the bucket edge for maximized liquid carrying capacity.

Bucket sizes 60 in | 66 in | 72 in | 78 in | 84 in

Options 3/4" x 8" Weld on Cutting Edge | 3/4" x 6" Bolt-on Cutting Edge

Other Carrier Options Available

*** Proper Ballast Required**

LSB Series



Features

- 3/16" Grade 50 Shell (1/4" Optional)
- Top Reinforcement Tube
- 1/4" Sides with 1/2" braces
- 1/2" x 4" Underside Wear Bars
- Safety Step
- Rolled Insert for Strength and Cleanout

Product Specifications

Size	Height	Depth (Approx)	Struck Cu. Yd Capacity
72"	30"	38"	.76 (.92 heaped)
78"	30"	38"	.82 (.98 heaped)
84"	30"	38"	.89 (1.07 heaped)

COMPACT CLAM GRAPPLE

The Stinger Attachments Compact Clam Grapple is the perfect attachment for compact tractors 25-50 hp. It is the ideal tool for homesteaders and land management. This grapple is designed to be lightweight and strong to maximize the loader lifting capabilities of compact tractors. This grapple also features an independent dual grapple design which allows the operator to get a solid clamp on uneven material to maximize and stabilize large loads.



Sizes 56 in | 66in

Options Multiple Carrier Options Available

** Proper Ballast Required*

Features

- ¼" AR200 Tines
- 9" Opening Between Tines
- 2" Pipe Structural Supports
- Enclosed Back with Visibility Cutouts
- Independent Grapples
- 35" Grapple Opening
- Twin 3000 PSI Cylinders
- 1" Greaseable Grapple Pivot
- Hydraulic Couplers Matched to Machine

CCG-Compact Clam



Product Specifications

Size	Weight	Height
56"	370 lbs	29"
66"	410 lbs	29"

CLAM GRAPPLE



The Stinger Attachments Clam Grapple is designed for utility tractors and skid steers 50-100 hp. It is a stepped-up version of our popular Compact Clam Grapple. It is built out of AR200 material to make it extremely durable and strong. The large 46" grapple opening, and self-clamping independent grapple design enables the operator to effectively grab large amounts of debris for fast and efficient results. It also features a bolt-on mount design allowing for flexibility with multiple carriers. The Stinger Attachments Clam Grapple is a must have to add to your accessory package for your machine.

Sizes 66 in | 75 in | 84 in

Multiple Carrier Options Available

****Proper Ballast Required***

CG-Clam Grapple



Features

- 46" Grapple Opening
- 9" Tine Spacing
- 3/8" AR200 Material
- 1" Greaseable Grapple Pivot Shaft
- 2x8 3000 PSI Welded Grapple Cylinders
- Interchangeable Bolt-On Mount
- Universal Quick-Attach Carrier
- John Deere 100-500 Series Carrier
- Multiple Hydraulic Coupler Options
- Enclosed Back
- Independent Grapples

Product Specifications

Size	Weight	Height
66"	870 lbs	40 in
75"	900 lbs	40 in
84"	950 lbs	40 in

CLAM GRAPPLE EXTREME

The Stinger Attachments CG-XD Grapple is a “Beast of a Grapple”. This grapple is designed for extreme duty applications for high horsepower machines. It is the perfect fit for commercial or heavy use applications. This grapple utilizes AR200 steel to be extremely tough and durable at a lighter weight. This grapple features the proven independent dual grapple design with a massive 60’ opening that allows the operator to get a solid clamp on uneven loads to maximize efficiency. If you can pick it up, this grapple can handle it!



Size 84 in

Multiple Carrier Options Available

****Proper Ballast Required***

CG-XD Clam Grapple - XD

Features

- 60” Grapple Opening
- 9” Tine Spacing
- 1/2” AR200 Material
- Greaseable Grapple Pivot Shaft
- 3x10 3000 PSI Welded Grapple Cylinders
- Interchangeable Bolt-On Mount
- Universal Quick-Attach Carrier
- Construction ISO Carrier
- Multiple Hydraulic Coupler Options
- Enclosed Back
- Independent Grapples



Product Specifications

Size	Weight	Height
86”	1750 lbs	47 in

ROCK BUCKET



The Stinger Attachments RK Series Rock Bucket features a contoured tine that helps keep material in place to sift or add more product to the load ensuring a full load of desired product every time, reducing trips to dump to get more done. It is built with the strongest backbone in the industry. This bucket features a 1-piece tine design that is welded around a 3"x 3" lower backbone. The 1-piece tine design adds considerable strength and life over the more common 2-piece welded tine utilized in most other brands.

Rock bucket sizes 60 in | 66 in | 72 in | 78 in | 80 in | 84 in | 88 in

Options Bolt on Sides

Other Carrier Options Available

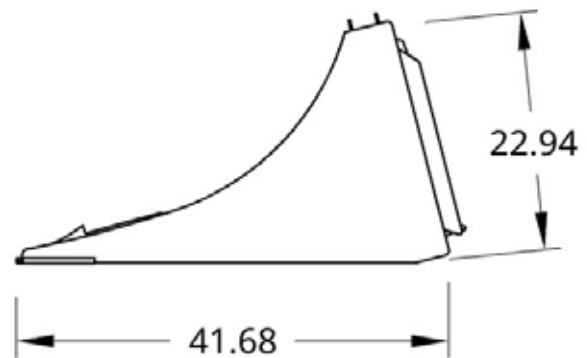
****Proper Ballast Required***

RK-Series



Features

- Grade 50 Steel
- 4" x 4" x 1/4" Top Tubing
- 3" x 3" x 1/4" Bottom Tubing
- 3/8" One-Piece Tine
- Contoured Tines
- 3.25" Tine Spacing (2-7/8 opening)
- 1/2" Serrated Cutting Edge



Product Specifications

Size	Weight	Height	Length
60"	650 lbs	23in	42in
66"	695 lbs	23in	42in
72"	770 lbs	23in	42in
78"	795 lbs	23in	42in

Size	Weight	Height	Length
80"	805 lbs	23in	42in
84"	830 lbs	23in	42in
88"	840 lbs	23in	42in

ROCK GRAPPLES

The Stinger Attachments RG Series Rock Grapple is the proven RK Series Rock Bucket fitted with a single grapple to secure debris. This bucket features a contoured tine that helps keep material in place to sift or add more product to the load. This grapple is built with the strongest backbone in the industry, featuring a 1-piece tine design that is welded around a 3"x 3" lower backbone. This design adds considerable strength and life over the more common 2-piece welded tine utilized in most other brands.



Bucket size 48 in

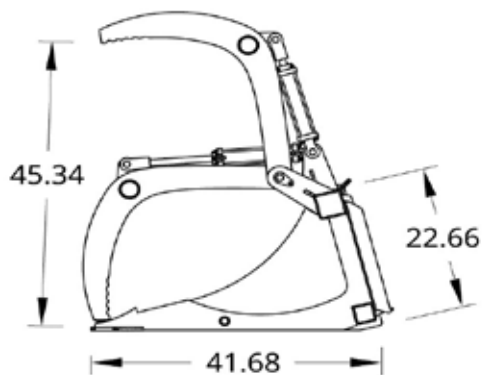
Options Bolt on Sides | XD Grapples

Other Carrier Options Available

**Proper Ballast Required*

Features

- Grade 50 Steel
- 4" x 4" x 1/4" Top Tubing
- 3" x 3" x 1/4" Bottom Tubing
- 3/8" One-Piece Tine
- Contoured Tines
- 3.25" Tine Spacing (2-7/8 opening)
- 45" Grapple Opening
- 2500 PSI Cylinder
- 1/2" Serrated Cutting Edge
- Greaseable 1" Grapple Pins



RG-Series Single Grapple



Product Specifications

Size	Weight	Height	Length
48"	730 lbs	23in	42in

ROCK GRAPPLES



The Stinger Attachments RG Series Rock Grapple is the proven RK Series Rock Bucket fitted with dual grapples to secure debris. This bucket features a contoured tine that helps keep material in place to sift or add more product to the load. This grapple is built with the strongest backbone in the industry, featuring a 1-piece tine design that is welded around a 3" x 3" lower backbone. This design adds considerable strength and life over the more common 2-piece welded tine utilized in most other brands.

Bucket size 60 in | 66 in | 72 in | 78 in | 80 in | 84 in | 88 in

Options Bolt on Sides | XD Grapples

Other Carrier Options Available

****Proper Ballast Required***

RG-Series

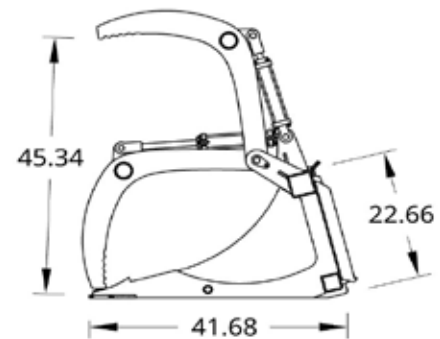


Product Specifications

Size	Weight	Material	Cut-Edge
60"	950 lbs	3/8" Gr.50	1/2" Gr.50
66"	980 lbs	3/8" Gr.50	1/2" Gr.50
72"	1030 lbs	3/8" Gr.50	1/2" Gr.50
78"	1155 lbs	3/8" Gr.50	1/2" Gr.50

Features

- Grade 50 Steel
- 4" x 4" x 1/4" Top Tubing
- 3" x 3" x 1/4" Bottom Tubing
- 3/8" One-Piece Tine
- Contoured Tines
- 3.25" Tine Spacing (2-7/8 opening)
- 45" Grapple Opening
- Twin 2500 PSI Cylinders
- 1/2" Serrated Cutting Edge
- Greaseable 1" Grapple Pins



Size	Weight	Material	Cut-Edge
80"	1165 lbs	3/8" Gr.50	1/2" Gr.50
84"	1175 lbs	3/8" Gr.50	1/2" Gr.50
88"	1195 lbs	3/8" Gr.50	1/2" Gr.50

ROCK OPEN GRAPPLES

The Stinger Attachments ROG Series Rock Bucket Grapple is an open sided rock bucket design that is fitted with a single grapple to confidently secure an uneven load. The flat-tine design works well to get under debris while the open side design allows the operator to secure longer debris. This grapple is built with the strongest backbone in the industry, featuring a 1-piece tine design that is welded around a 3"x3" lower backbone. This design adds considerable strength and life over the more common 2-piece welded tine utilized in most other brands.



Bucket size 48 in

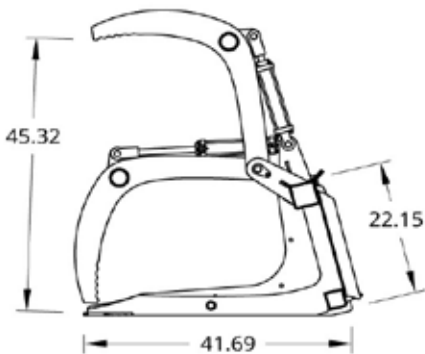
Options Bolt on Sides | XD Grapples

Other Carrier Options Available

**Proper Ballast Required*

Features

- Grade 50 Steel
- 4" x 4" x 1/4" Top Tubing
- 3" x 3" x 1/4" Bottom Tubing
- 3/8" One-Piece Tine
- Contoured Tines
- 3.25" Tine Spacing (2-7/8 opening)
- 45" Grapple Opening
- Twin 2500 PSI Cylinders
- 1/2" Serrated Cutting Edge
- Greaseable 1" Grapple Pins



ROG-Series Single



Product Specifications

Size	Weight	Height	Length
48"	730 lbs	23in	42in

ROCK OPEN GRAPPLES



The Stinger Attachments ROG Series Rock Bucket Grapple is an open sided rock bucket design that is fitted with a 2 independant grapples to confidently secure an uneven load. The flat-tine design works well to get under debris while the open side design allows the operator to secure longer debris. This grapple is built with the strongest backbone in the industry, featuring a 1-piece tine design that is welded around a 3"x 3" lower backbone. This design adds considerable strength and life over the more common 2-piece welded tine utilized in most other brands.

Bucket size 60 in | 66 in | 72 in | 78 in | 80 in | 84 in | 88 in

Options Bolt on Sides | XD Grapples

Other Carrier Options Available

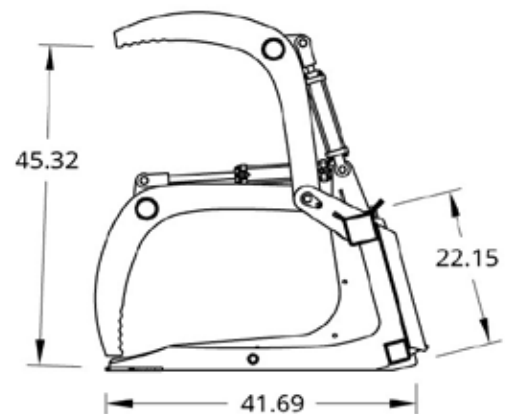
****Proper Ballast Required***

ROG-Series



Features

- Grade 50 Steel
- 4" x 4" x 1/4" Top Tubing
- 3" x 3" x 1/4" Bottom Tubing
- 3/8" One-Piece Flat Tines
- 3.25" Tine Spacing (2-7/8 opening)
- 45" Grapple Opening
- Twin 2500 PSI Cylinders
- 1/2" Serrated Cutting Edge
- Greaseable 1" Grapple Pins



Product Specifications

Size	Weight	Material	Cut-Edge
60"	960 lbs	3/8" Gr.50	1/2" Gr.50
66"	1003 lbs	3/8" Gr.50	1/2" Gr.50
72"	1065 lbs	3/8" Gr.50	1/2" Gr.50
78"	1105 lbs	3/8" Gr.50	1/2" Gr.50

Size	Weight	Material	Cut-Edge
80"	1135 lbs	3/8" Gr.50	1/2" Gr.50
84"	1155 lbs	3/8" Gr.50	1/2" Gr.50
88"	1180 lbs	3/8" Gr.50	1/2" Gr.50

ROOT & ROCK GRAPPLE

The Stinger Attachments RRG Series Root & Rock Bucket Grapple is the same design as our Rock Open Grapples, but with a wider spacing. The wider spacing helps to let larger debris fall through. It also lightens the overall weight of the bucket for smaller machines with a lower lift capacity. This grapple is built with the strongest backbone in the industry, featuring a 1-piece tine design that is welded around a 3"x 3" lower backbone. This design adds considerable strength and life over the more common 2-piece welded tine utilized in most other brands.



Bucket size 60 in | 66 in | 72 in | 78 in

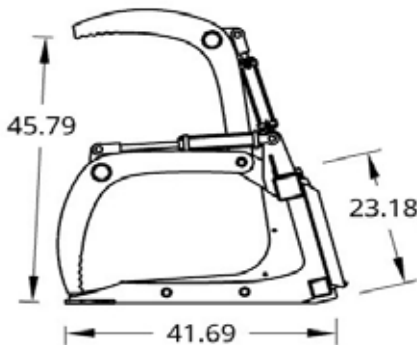
Options XD Grapples

Other Mount Options Available

**Proper Ballast Required*

Features

- Grade 50 Steel
- 4" x 4" x 1/4" Top Tubing
- 3" x 3" x 1/4" Bottom Tubing
- 3/8" One-Piece Flat Tines
- 6-3/8" Tine Spacing (6" opening)
- 45" Grapple Opening
- Twin 2500 PSI Cylinders
- 1/2" Serrated Cutting Edge
- Greaseable 1" Grapple Pins



RRG-Series



Product Specifications

Size	Weight	Material	Cut-Edge
60"	730 lbs	3/8" Gr.50	1/2" Gr.50
66"	810 lbs	3/8" Gr.50	1/2" Gr.50
72"	835 lbs	3/8" Gr.50	1/2" Gr.50
78"	860 lbs	3/8" Gr.50	1/2" Gr.50

ROOT GRAPPLE



The Stinger Attachments RTG Series Root Grapple has a 9" tine spacing that is effective for roots, stumps, and rocks. The open sided design allows the operator to secure and move longer debris. This grapple is fitted with 2 grapples that operate independently to confidently secure an uneven load. The RTG is built with the strongest backbone in the industry. This bucket features a 1-piece tine design that is welded around a 3"x 3" lower backbone. The 1-piece tine design adds considerable strength and life over the more common 2-piece welded tine utilized in most other brands.

Bucket size 65 in | 75 in | 85 in

Options XD Grapples

Other Carrier Options Available

**Proper Ballast Required*

RTG-Series

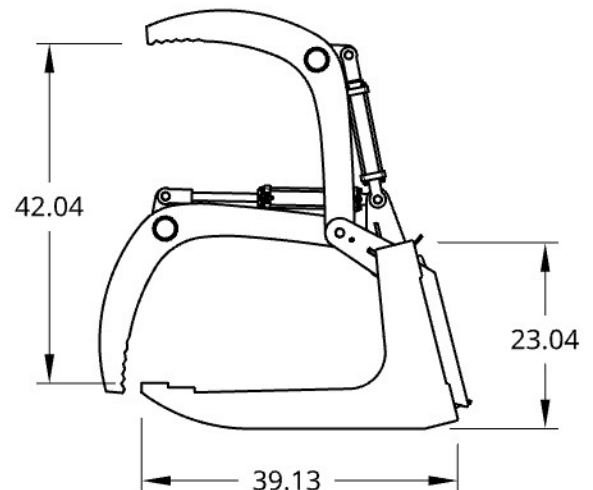


Features

- Grade 50 Steel
- 4" x 4" x 1/4" Top Tubing
- 3" x 3" x 1/4" Bottom Tubing
- 3/8" One-Piece Hooked Tines
- 9-3/8" Tine Spacing (9" opening)
- 45" Grapple Opening
- Twin 2500 PSI Cylinders
- 1/2" Flat Faced Couplers
- 2-7/8" Front Support Pipe

Product Specifications

Size	Weight	Material	Tine Depth
66"	746 lbs	3/8" Gr.50	4-1/2"
75"	795 lbs	3/8" Gr.50	4-1/2"
85"	843 lbs	3/8" Gr.50	4-1/2"



ROOT GRAPPLE-XD

The Stinger Attachments RTG-XD Series Root Grapple is designed for larger horsepower machines. This utilizes 1/2" material throughout. This bucket features a flat-tine design that works well to get under debris. The open side design allows the operator to secure and move longer debris. This grapple is fitted with 2 grapples that operate independently to confidently secure an uneven load. This grapple is built with the strongest backbone in the industry, featuring a 1-piece tine design that is welded around a 3"x 3" lower backbone. This design adds considerable strength and life over the more common 2-piece welded tine utilized in most other brands.



Bucket size 60 in | 66 in | 72 in | 78 in

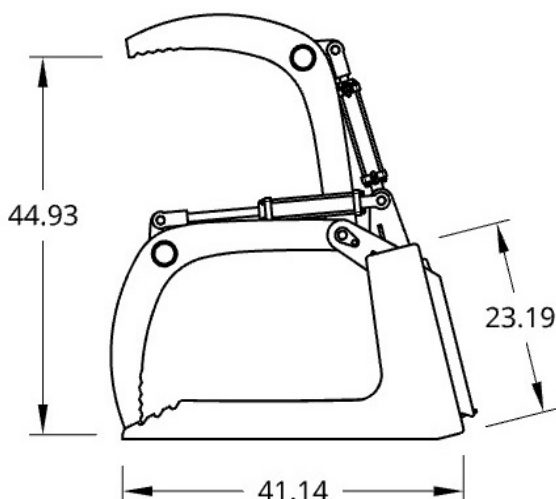
Other Carrier Options Available

**Proper Ballast Required*

Features

- Grade 50 Steel
- 4" x 4" x 1/4" Top Tubing
- 3" x 3" x 1/4" Bottom Tubing
- 3/8" One-Piece Flat Tines
- 6-3/8" Tine Spacing (6" opening)
- 1/2" Grapple Supports and Grapple Frames
- 45" Grapple Opening
- Twin 3000 PSI Cylinders
- 1/2" Flat Faced Couplers
- 1/2" Serrated Cutting Edge

RTG-XD Series



Product Specifications

Size	Weight	Material	Tine Thickness
78"	1015 lbs	3/8" Gr.50	1/2"
84"	1115 lbs	3/8" Gr.50	1/2"
91"	1215 lbs	3/8" Gr.50	1/2"

DEMOLITION GRAPPLE



The Stinger Attachments DG Series Demolition Grapples are designed for both large and small debris. The solid bottom and wide grapple opening ensures the most capacity carried with every load. The curved side plates allow the operator to clamp onto large objects like logs and scrap. Our demolition grapple bucket also has an added rolled insert bottom-radius support. This feature strengthens the shell and aids in easier clean out.

Bucket size 60 in | 66 in | 72 in | 78 in | 84 in

Options XD Grapples | Bolt on Edge | Teeth

Other Carrier Options Available

****Proper Ballast Required***

DG-Series

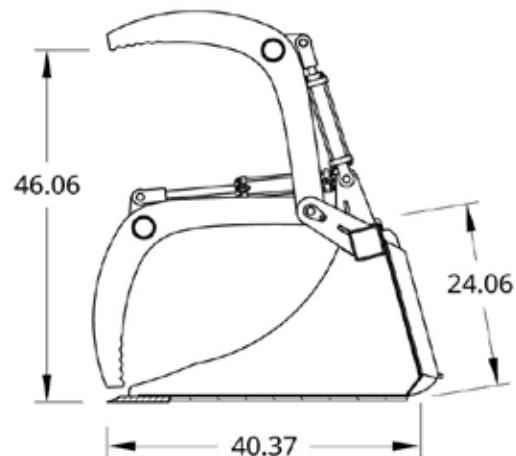


Features

- Grade 50 Steel
- 3/16" Shell
- 4" x 4" x 1/4" Top Tubing
- 3" x 3" x 1/4" Bottom Tubing
- 3/8" Side Plates
- 45" Grapple Opening
- Twin 2500 PSI Cylinders
- Greaseable 1" Grapple Pins
- Rolled Insert for Strength and Cleanout
- Weld-on Edge

Product Specifications

Size	Weight
60"	905 lbs
66"	935 lbs
72"	965 lbs
78"	1015 lbs
84"	1030 lbs



MANURE TINE

The Stinger Attachments Manure Tine is ideal for livestock producers. It works excellent for getting under loose or matted material such as livestock bedding or silage. This bucket is also versatile enough to work effectively in a variety of other tasks including trees, brush and debris removal. The tines are reinforced to ensure a long life to this bucket. In the event a tine gets bent or broke they are completely replaceable.



Bucket size 60 in | 68 in | 76 in | 84 in

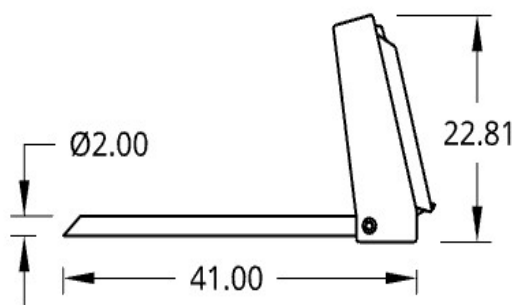
Options Closed Back

Other Carrier Options Available

**Proper Ballast Required*

Features

- Grade 50 Steel
- 40" Long Heavy Duty 2" Cold Rolled Tines
- Replaceable Tines
- ¼" thick tine bushings
- 8" Tine Spacing (6" Opening)
- 4" x 4" x ¼" Main Frame Tubing
- Open back or Closed back



Product Specifications

Size	Weight
60"	375 lbs
68"	425 lbs
76"	475 lbs
84"	600 lbs

MT Series



MANURE TINE GRAPPLE

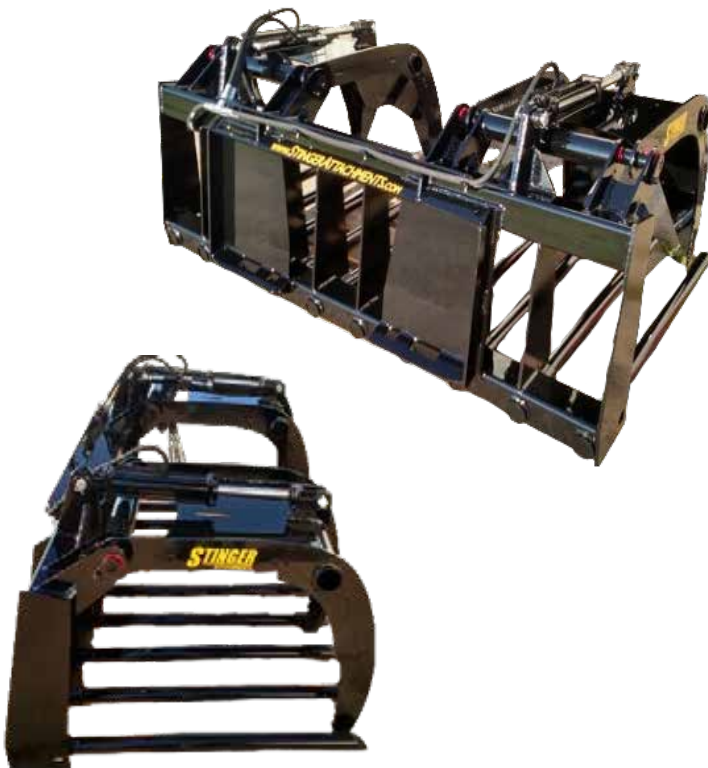


The Stinger Attachments Manure Tine Grapple is ideal for livestock producers. It works excellent for getting under loose or matted material such as livestock bedding or silage. This bucket is also versatile enough to work effectively in a variety of other tasks including trees, brush and debris removal. The grapples are effective in grasping the product once the tines pry it loose. In the event a tine gets bent or broke they are completely replaceable.

Bucket size 60 in | 68 in | 76 in | 84 in
Options XD Grapples | Closed Back
 Other Carrier Options Available

**Proper Ballast Required*

MTG Series

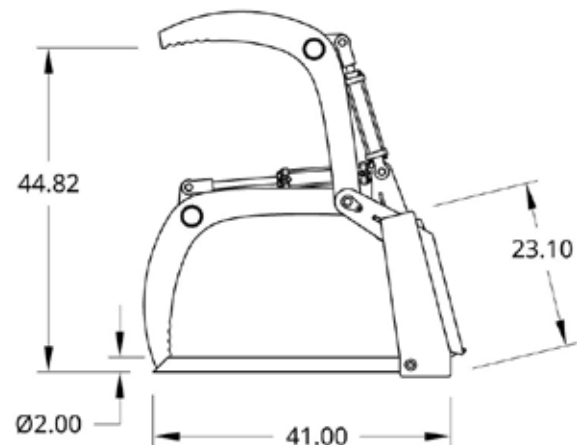


Features

- Grade 50 Steel
- 40" Long Heavy Duty 2" Cold Rolled Tines
- Replaceable Tines
- ¼" thick tine bushings
- 8" Tine Spacing (6" Opening)
- Replaceable Tines
- 4" x 4" x ¼" Top Tubing
- 3" x 3" x ¼" Bottom Tubing
- 45" Grapple Opening
- Twin 2500 PSI Cylinders
- Greaseable 1" Grapple Pins
- Open Back or Closed Back

Product Specifications

Size	Weight
60"	825 lbs
68"	875 lbs
76"	925 lbs
84"	1050 lbs



MANURE SPEAR

The Stinger Attachments Manure Spear is ideal for livestock producers. It works excellent for getting under loose or matted material such as livestock bedding or silage. This bucket is also versatile enough to work effectively in a variety of other tasks including trees, brush and debris removal. The tines are reinforced to ensure a long life to this bucket. In the event a tine gets bent or broke they are completely replaceable.



Bucket size 60 in | 68 in | 76 in | 84 in

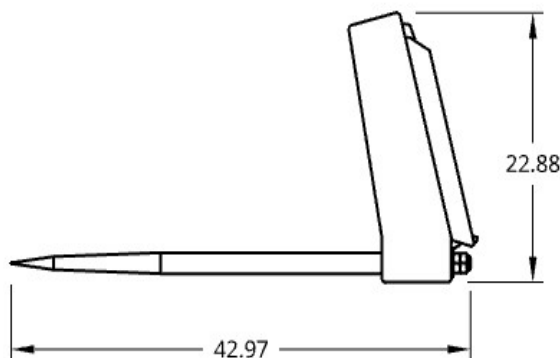
Options Closed Back

Other Carrier Options Available

**Proper Ballast Required*

Features

- Grade 50 Steel
- Conus 2 43" Bale Spears
- Replaceable Spears
- 1/4" thick tine bushings
- 8" Spear Spacing (6" Opening)
- 4" x 4" x 1/4" Top Tubing
- 3" x 3" x 1/4" Bottom Tubing
- Open Back or Closed Back



MS-Series



Product Specifications

Size	Weight
60"	375 lbs
68"	425 lbs
76"	475 lbs
84"	600 lbs

MANURE SPEAR GRAPPLE



The Stinger Attachments Manure Spear Grapple is ideal for livestock producers. It works excellent for getting under loose or matted material such as livestock bedding or silage. This bucket is also versatile enough to work effectively in a variety of other tasks including trees, brush and debris removal. The grapples are effective in grasping the product once the tines pry it loose. In the event a tine gets bent or broke they are completely replaceable.

Bucket size 60 in | 68 in | 76 in | 84 in

Options XD Grapples | Closed Back

Other Carrier Options Available

****Proper Ballast Required***

MSG Series



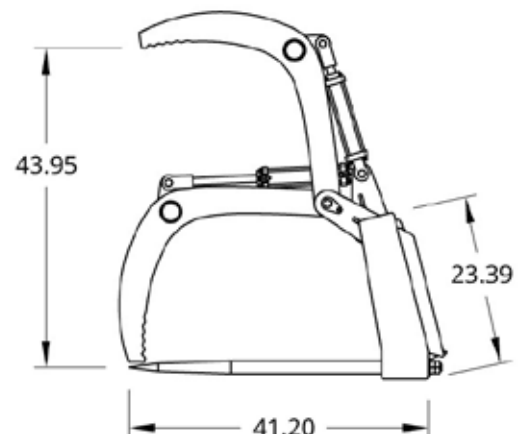
Features

- Grade 50 Steel
- Conus 2 43" Bale Spears
- Replaceable Spears
- ¼" thick tine bushings
- 8" Spear Spacing (6" Opening)
- 4" x 4" x ¼" Top Tubing
- 3" x 3" x ¼" Bottom Tubing
- 45" Grapple Opening
- Twin 2500 PSI Cylinders
- ½" Flat Faced Couplers
- Greaseable 1" Grapple Pins
- Removable Grapples
- Open Back or Closed Back



Product Specifications

Size	Weight
60"	825 lbs
68"	875 lbs
76"	925 lbs
84"	1050 lbs



TREE PULLER

The Stinger Attachments Stump Tree Puller is the answer when it comes to pulling and grubbing trees fast and efficiently. This puller features a tight clamping jaw that can grip on large or small diameter trees and shrubs with ease. It also features a front spade that can be used to dig out smaller diameter objects or to get under larger diameter trees to help break roots and assist in complete removal. It is fitted with a welded on 20" tall x 24" wide safety guard that is fully welded to the main frame.



Jaw Length 42"

Jaw Opening 34"

Other Carrier Options Available

**Proper Ballast Required*

Features

- Grade 50 Steel
- 34" Jaw Opening
- 42" Jaw Length
- 6" x 6" x 3/4" Spade on Jaw
- 1-1/2" Greaseable Pivot Pin
- 3/8" Pin Sidewall Bushing
- 3" x 3" Main Frame Square Tubing
- Tree Guard for Safety
- Safety Step
- Tree Capacity: 10 inches
- Weight: 450 lbs

STP 34 - Tree Puller



STUMP BUCKET



The Stinger Attachments Stump Bucket is built to handle the toughest jobs. It was designed to easily get under and rip small and large stumps out of the ground. The serrated teeth on the side plates help cut the roots of the stump to loosen it for removal. The long spade and deep bottom help to penetrate deep below the roots and gain leverage to pull out the toughest stumps. This bucket is versatile as it also works well for digging out large rocks and trenching.

Other Carrier Options Available

****Proper Ballast Required***

STB Series



Features

- Grade 50 Steel
- 3/8" Steel Sides
- 52" Long Spade
- 3/4" thick Cutting Teeth
- 12" Width
- Curved Bottom for Leverage
- 3" x 3" Main Frame Square Tubing
- Romac pin-on Teeth
- Safety Step
- Weight: 465 lbs



STUMP GRAPPLE

The Stinger Attachments Stump Grapple has all the same features of the Stump Bucket with the added versatility of the grapple. The added grapples aids in clamping onto debris such as roots, rock, and stumps and assists with removal in both digging and relocating stumps, roots, or rocks. This grapple is built to handle the toughest jobs.



Other Carrier Options Available

**Proper Ballast Required*

Features

- Grade 50 Steel
- 3/8" Steel Sides
- 52" Long Spade
- 12" Width
- Curved Bottom for Leverage
- 3/4" thick Cutting Teeth
- Romac pin-on Teeth
- 3/8" Grapples Jaws
- 52" Grapple Opening
- 1/2" Flat Faced Couplers
- Greaseable 1-1/2" Grapple Pins
- Removable Grapples
- Safety Step
- Weight: 635 lbs

STG Series



LAND PLANE



The Stinger Attachments Land Plane is the perfect piece for Landscapers, Construction Contractors and Farmers. This leveler works well for many different grading applications including driveways, trail grooming, soil prep, and back-filling. It works great for levelling gravel or a variety of other projects to add that final touch. The optional hydraulic scarifier can help till or loosen debris for a complete finish.

Sizes 66 in | 72 in | 78 in | 84 in

Options Weld on Edge or Bolt on Edge | Hydraulic Scarifier

Other Carrier Options Available

****Proper Ballast Required***



Features

- 3/8" Grade 50 Steel Support Plates
- Dirt Bucket Hooks
- 3/4" x 6" Cut Edge Front and Back
- Bolt-on or Weld-on Cut Edge
- 3/8" x 3.5" x 3.5" Grade 50 Angle Iron
- Optional Hydraulic Scarifier Teeth
- Up to 2" Variable Depth Scarifier



MINI SOIL CONDITIONER

The Stinger Attachments Mini Soil Conditioner is designed for compact tractors and skid steers. It works well to grade, level, rake and remove debris. It is exceptional for pulverizing and preparing the ground for new seedbed or turf. It also works well to dethatch or remove old lawn and weeds all with one tool.



Sizes 48 in | 60 in

Options Caster Wheel | Hydraulic Rotation

Other Carrier Options Available

****Proper Ballast Required***



Features

- Fully Hydraulic Drum
- Fold-away Legs
- Removeable Jockey Wheels
- Compact Storage
- Hydraulic Angling
- Removable Soil Plates



CONCRETE BUCKET



The Stinger Attachments Concrete Bucket is the perfect piece for contractors. If you use a wheelbarrow to carry, mix and pour concrete, installing a concrete bucket on your skid steer can make your job easier and more efficient. This attachment eliminates the fatigue caused by manual wheelbarrow pouring by allowing your skid steer loader to do the heavy lifting. The dynamic design provides smooth and accurate concrete pouring directly from your skid steer loader.

Sizes 3/4 yd | 1 yd

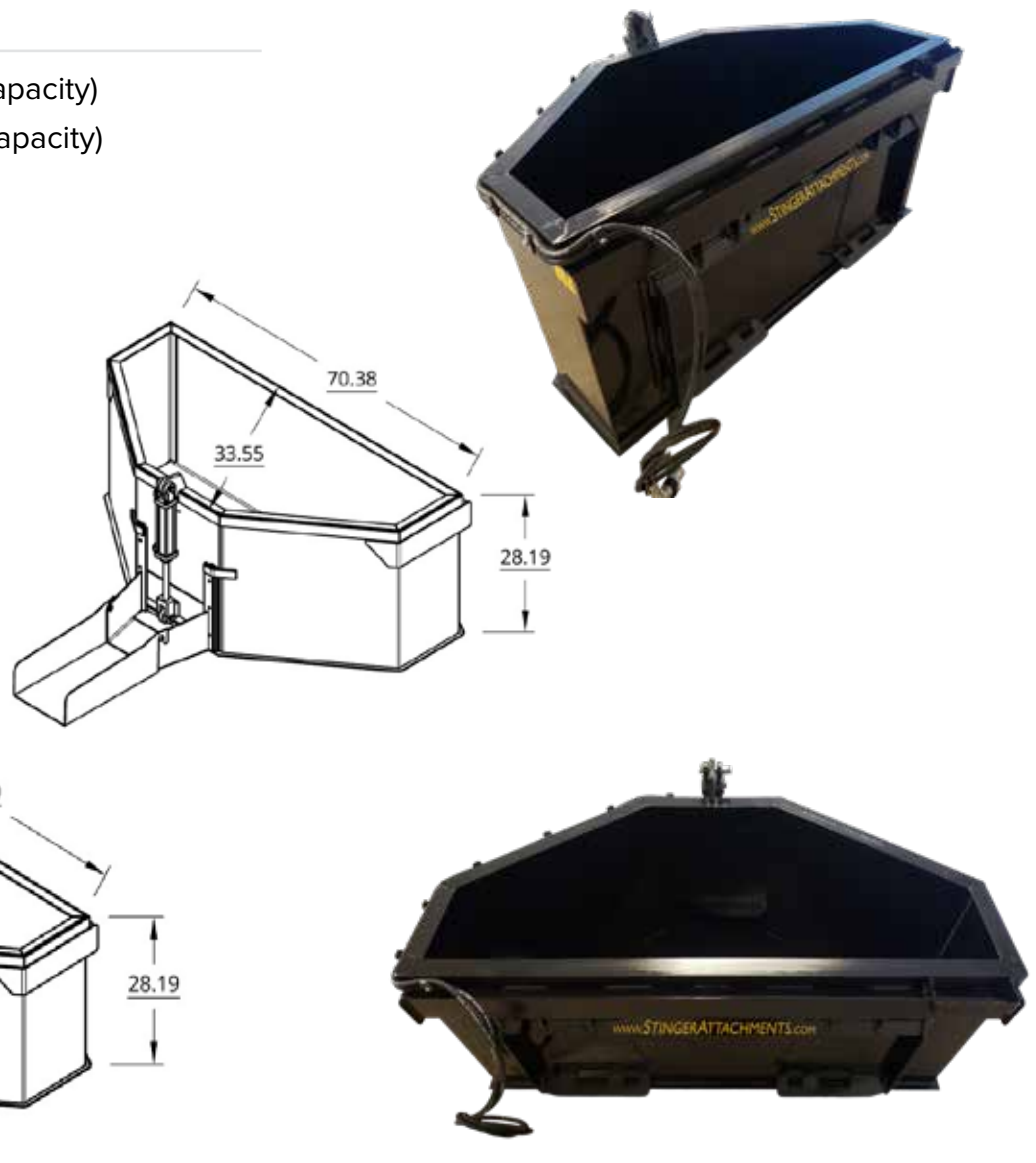
Options 24" or 36" in Removable Chute

Other Carrier Options Available

****Proper Ballast Required***

Features

- 0.75 (0.83 yds actual capacity)
- 1 Yard (1.12 yds actual capacity)
- 3/16" Shell
- 24" Removable Chute
- Hydraulic Floor
- 2" x 8" 2500 PSI Cylinc
- 1/2" Flat-faced Couplers
- Safety Step



CEMENT MIXERS

The Stinger Attachments Cement Mixer is a handy tool for small masonry work. It can mix anything from cement to fertilizer. It fits quickly and easily to your Stinger Auger Drive and mount, so no need to purchase additional components to your existing auger drive for hole drilling. Ideal Uses include Mixing cement, mulch, animal feed, fertilizer. Compatible for Skid Steers, Front End Loaders and Tele-Handlers.



Sizes 2.5 cu. ft. | 4 cu. ft.

Options Bowl and Cradle or Bowl Only

Other Carrier Options Available

****Proper Ballast Required***

Package 1

(Complete Unit) This comes complete with skid-steer frame, our 3DSS auger drive, and mixer bowl (small or large).

Bowl Specifications

Small Bowl

- 3.9 cu ft capacity
- 18.5g operating capacity

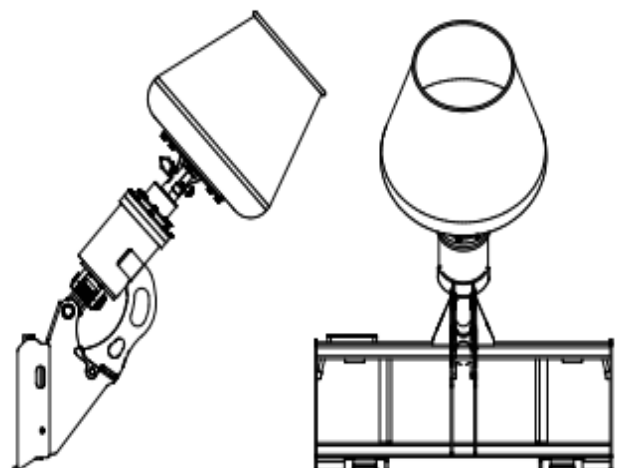
Large Bowl

- 5.7 cu ft capacity
- 30g operating capacity

Package 2

(Mixer bowl/Cradle Only) This comes with a small, or large mixing bowl and cradle to fit your already owned Stinger auger drive unit with 2" hex shaft.

* Please note that off-brand auger drives may need to be modified to fit our mixer. Not all other brands will work properly.



ANGLE BROOM

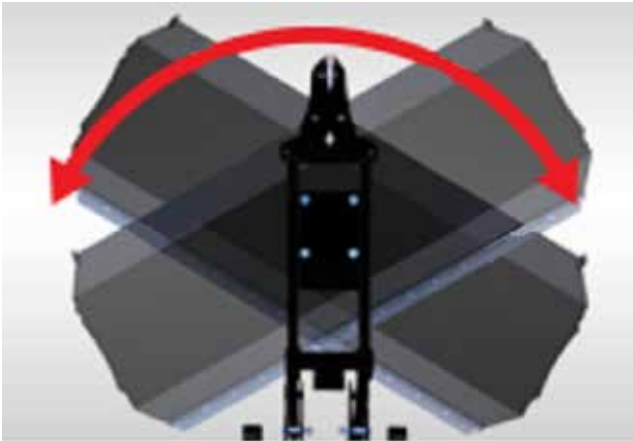
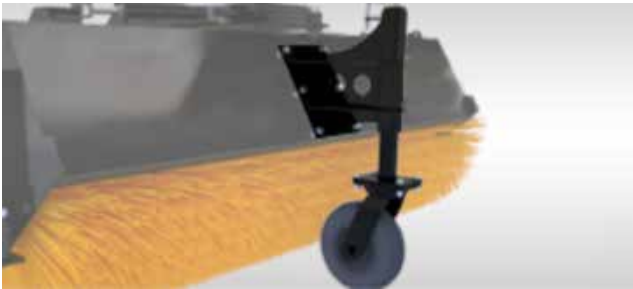


The Stinger Attachments Angle Broom is ideal for cleaning warehouses, parking lots, sidewalks and a variety of other places. It comes with a replaceable poly-wire wheel and an optional front caster. It is also offered in hydraulic or manual rotation. This broom makes cleanup fast and easy.

Sizes 72 in | 84 in | 96 in

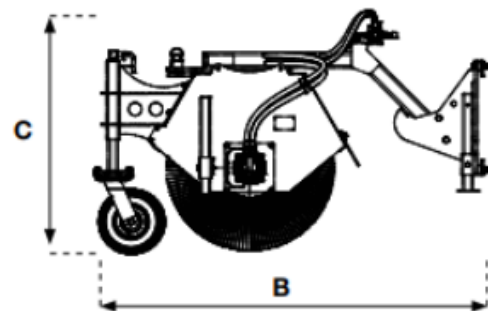
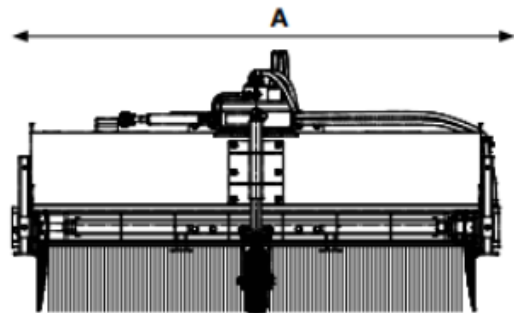
Options Caster Wheel | Hydraulic Rotation
Other Carrier Options Available

****Proper Ballast Required***



Features

- Replaceable Poly/Wire Brush
- Manual or Hydraulic Rotation
- Fold-away Stands
- Optional Caster Wheels
- Hydraulic Angling
- Floating Design
- Eaton Motor

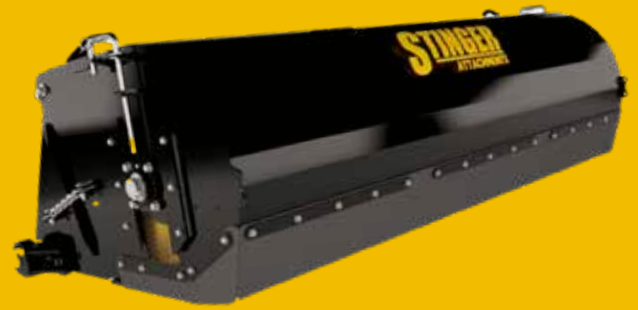


Product Specifications

Size	Weight	Width (A)	Depth (B)	Height (C)
72"	950 lbs	82"	77"	47"
84"	1060 lbs	94"	77"	47"
96"	1165 lbs	106"	77"	47"

PICKUP BROOM

The Stinger Attachments Pickup Broom is a very popular piece of equipment for warehouses, machine sheds, parking lots, job sites, and dust containment. Very easy to attach and simple to operate. The bucket's cutting edge helps break up debris and mud while the sweepers poly bristles deposit waste material into the container which can be dumped when full.



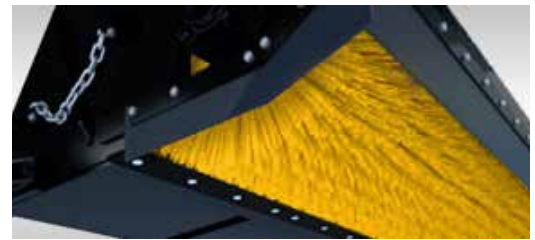
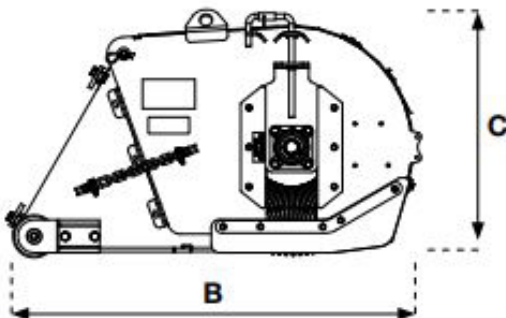
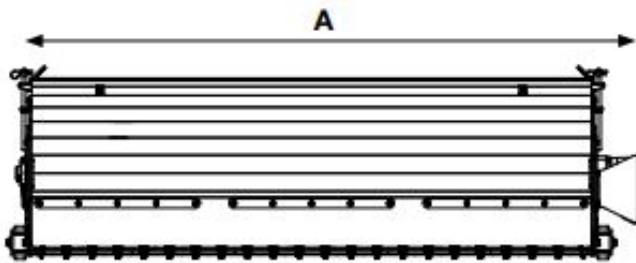
Sizes 60 in | 72 in | 84 in

Options Gutter Brush | Water Tank
Other Carrier Options Available

****Proper Ballast Required***

Features

- Replaceable poly-wire wheel
- Easy Brush Adjustment
- Heavy Duty Casters
- Reverse Flow
- Quick-Change Brush Wafers
- Eaton Motor



Product Specifications

Size	Weight	Width (A)	Depth (B)	Height (C)
60"	950 lbs	74"	50"	30"
72"	1060 lbs	86"	50"	50"
84"	1165 lbs	98"	50"	50"

AUGER DRIVES



The Stinger Attachments Drilling Drives deliver the ultimate in performance, quality and cost effectiveness. The Eaton motor drives have over 30 years of design and development and are a name that is known for reliability. Fitted with Eaton bell motors and input housing, the innovative design allows the gearbox to go down the hole to maximize drilling depth without extensions, eliminating downtime and minimizes maintenance, optimizing your returns.

Sizes **1DSS | 2DSS | 3DSS | 4DSS | 4DDS**

Options Standard Flow | High Flow

Other Carrier Options Available

****Proper Ballast Required***

FEATURES

- Compact high torque planetary gearbox
- Eaton motor with integrated pressure relief valve eliminating the need for bulky valve blocks while reducing many potential leak points
- 2 Piece shaft design ensures maximum side load ratings without increasing load on bearings
- 5 year gear box and 3 year motor warranty / lifetime shaft pull-out warranty
- Over 30 years design and manufacturing experience
- Easily converted to a Screw Anchor Drive with the addition of our patented 'Anti Kickback Valve'

	SINGLE SPEED	
MODEL	1DSS	2DSS
Torque ft-lbs @ 3000 Psi	1,467	2,254
Max Torque ft-lbs @ 3500 Psi	1,712	2,630
Recommended Flow (Gpm)	6-16	10-26
Motor Type	EATON	EATON
Max Pressure - Do Not Exceed	3500psi @ 16gpm	
Max Flow - Do Not Exceed	30gpm @ 1800psi	
Max Horse Power	33	33
Pressure Relief Valve	N/A	N/A
Standard Output Shaft	2" Hex	2" Hex
Recommended Auger	A4 / RC4	A4 / RC4
Max Drilling Diameter Clay/shale**	12"	24"
Max Drilling Diameter Earth**	24"	30"
Weight (lbs)	101	123
Overall Length (in)	24.5"	25.9"
Diameter (in)	7.4"	9.4"



	SINGLE SPEED		
MODEL	3DSS	4DSS	4DDS
Torque ft-lbs @ 3000 Psi	2,829	3,275	3,583
Max Torque ft-lbs @ 3500 Psi	3,300	3,821	4,180
Recommended Flow (Gpm)	10-30	10-30	10-36
Motor Type	EATON	EATON	EATON
Max Pressure - Do Not Exceed	3500PSI @ 16gpm	3500PSI @ 27gpm	
Max Flow - Do Not Exceed	30gpm @ 1800psi	42gpm @ 3100psi	
Max Horse Power	33	33	55
Pressure Relief Valve (PRV)	N/A	N/A	Included
Standard Output Shaft	2" Hex	2" Hex	2" Hex
Recommended Auger	A4 / RC4	A4 / RC4	A4 / RC4
Max Drilling Diameter Clay/shale**	24"	24"	24"
Max Drilling Diameter Earth**	30"	30"	40"
Weight (lbs)	123	125	180
Overall Length (in)	25.9"	25.9"	29"
Diameter (in)	9.4"	9.4"	9.4"

MINI BIGFOOT TRENCHER

The Stinger Attachments Mini Bigfoot Trencher fits best to mini loaders and walk behind machines. It features an adjustable depth control foot, ensuring consistent set depth at all times. Our trenchers are the most user friendly on the market; allowing the crumbler bar to start in the trench. This eliminates the need for the operator to get out of the machine to reset the crumbler bar. The unique design foot can be seen from the cab to allow the operator to see when the trencher is in the correct trenching position.



Chain Width 4 in | 6 in | 8 in

Chain Options Earth | Combo | Diggatec

Other Carrier Options Available

**Proper Ballast Required*

Features

- 36" Depth
- Eaton motor
- Pressure relief valve
- 5-year gearbox warranty
- 3-year motor warranty
- Headstart Crumber System
- Adjustable Skid Foot to
- Skid Foot is visible from the cab
- Side-Shift Frame
- Mini Loader Frame



SPECS	900
CUTTING DEPTH	UP TO 36"
CUTTING WIDTHS	4" / 6" / 8"
FOOT DEPTH PRESETS	18" / 24" / 30" / 36"
RECOMMENDED FLOW	10-25 GPM
MOTOR TYPE	2K BELL EATON
MAX PRESSURE - DO NOT EXCEED	3500 PSI @ 16 GPM
MAX FLOW - DO NOT EXCEED	25 GPM @ 2900 PSI
MAX CONTINUOUS POWER	34 HP
LENGTH	74"
HORIZONTAL HEIGHT	32"
WIDTH	38"
WEIGHT	320 LBS

BIGFOOT 900 TRENCHER



The Stinger Attachments Bigfoot 900 Trencher is for larger standard flow machines. It features an adjustable depth control foot which ensures the operator trenches at a consistent set depth at all times. Our trenchers are the most user friendly on the market; allowing the crumbler bar to start in the trench. This eliminates the need for the operator to get out of the machine to reset the crumbler bar. The unique design foot can be seen from the cab to allow the operator to see when the trencher is in the correct trenching position.

Chain Width 4 in | 6 in | 8 in

Chain Options Earth | Combo | Diggatec

Other Carrier Options Available

****Proper Ballast Required***



Features

- 36" Depth
- Eaton motor
- Pressure relief valve
- 5-year gearbox warranty
- 3-year motor warranty
- Headstart Crumbler System
- Adjustable Skid Foot to
- Skid Foot Visible From the Cab
- Side-Shift Frame

SPECS	900
CUTTING DEPTH	UP TO 36"
CUTTING WIDTHS	4" / 6" / 8"
FOOT DEPTH PRESETS	24" / 30" / 36"
RECOMMENDED FLOW	13-25 GPM
MOTOR TYPE	2K BELL EATON
MAX PRESSURE - DO NOT EXCEED	3500 PSI @ 16 GPM
MAX FLOW - DO NOT EXCEED	25 GPM @ 2900 PSI
MAX CONTINUOUS POWER	34 HP
LENGTH	76"
HORIZONTAL HEIGHT	26"
WIDTH	48"
WEIGHT	575 LBS



BIGFOOT XD TRENCHER

The Stinger Attachments Bigfoot XD Trenchers are built for high flow machines. They feature an adjustable depth control foot which ensures the operator trenches at a consistent set depth at all times. Our trenchers are the most user friendly on the market; allowing the crumbler bar to start in the trench. This eliminates the need for the operator to get out of the machine to reset the crumbler bar. The unique design foot can be seen from the cab to allow the operator to see when the trencher is in the correct trenching position.



Chain Width 6 in | 8 in | 10 in | 12 in
Chain Options Earth | Combo | Diggatec
 Other Carrier Options Available

**Proper Ballast Required*

Features

- 3 Models to Choose From
- 36-60" Depth
- Standard or High Flow
- Eaton motor
- Pressure relief valve
- 5-year gearbox warranty
- 3-year motor warranty
- Headstart Crumber System
- Adjustable Skid Foot to
- Skid Foot Visible From the Cab
- Side-Shift Frame



SPECS	XD 900	XD 1200	XD 1200 HF	XD 1500 HF
CUTTING DEPTH	UP TO 36"	UP TO 48"	UP TO 48"	UP TO 60"
CUTTING WIDTHS	6"/8"/10"/12"	6"/8"/10"/12"	6"/8"/10"/12"	6"/8"/10"/12"
FOOT DEPTH PRESETS	18"/24"/30"/36"	24"/32"/40"/48"		30"/40"/48"/60"
RECOMMENDED FLOW	16-30 GPM		28-45 GPM	
MOTOR TYPE	2K BELL EATON		6K BELL EATON	
MAX PRESSURE - DO NOT EXCEED	3500 PSI @ 16 GPM		3500 PSI @ 34 GPM	
MAX FLOW - DO NOT EXCEED	25 GPM @ 2900 PSI		45 GPM @ 2800 PSI	
MAX CONTINUOUS POWER	34 HP		67 HP	
LENGTH	76"	100"	100"	106"
HORIZONTAL HEIGHT	26"	31"	31"	33"
WIDTH	48"	48"	48"	45"
WEIGHT	575 LBS	855 LBS	935 LBS	1016 LBS

BALE SPEARS

The Stinger Attachments Bale Spears are the cornerstone for any livestock producer. They feature a heavy-duty design that is built to withstand everyday use moving large hay bales. We utilize high quality Conus 2 spears that are durable to withstand everyday use without breaking or bending. We offer several options and configurations to choose from to fit your specific needs for both round and square bales.



Standard

The Stinger Attachments Standard Bale Spear is our standard design for common everyday use. This standard spear works well to move medium to large round bales. It features 1 large upper spear and 2 smaller lower spears to aid in stabilizing and supporting the bale.



Other Carrier Options Available
**Proper Ballast Required*



Features

- Conus 2 49" Upper Spear
- 2 33" Lower Stabilizers
- 3500# Capacity
- Replaceable Spears (Double Nut)
- Safety Step
- 4" x 2" x 1/4" Top Support Tube
- 4" x 4" x 1/4" Bottom Support Tube
- Grade 50 Steel Side Plates

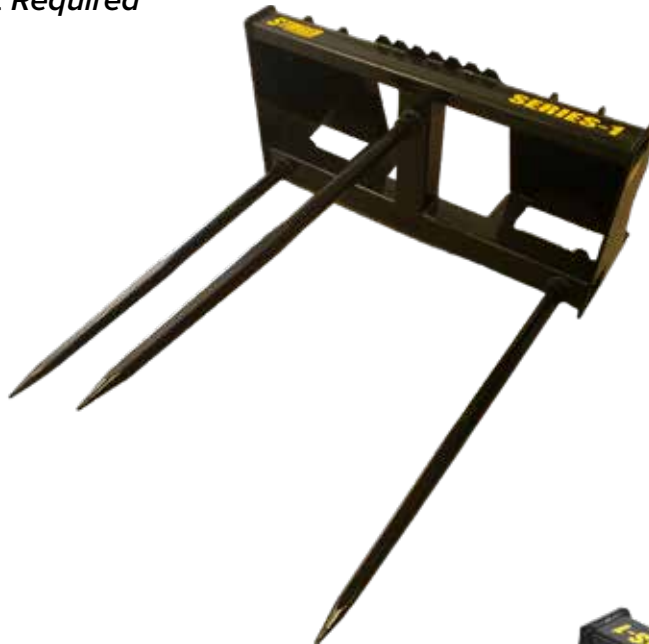


All of our bale attachments feature heavy duty design and come standard with replaceable tines.

Series 1

The Stinger Attachments Series 1 Bale Spear is designed to move medium to large round or square bales. It features a triangle design with 1 large upper spear and 2 large lower spears. The 3-spear design works well for a variety of uses including fast unloading of trailers in spreading of bedding.

Other Carrier Options Available
**Proper Ballast Required*



Features

- Conus 2 Upper 49" Spear
- Conus 2 Lower 49" Spears
- 10,500# Capacity
- Replaceable Spears (Double Nut)
- Safety Step
- 4" x 2" x 1/4" Top Support Tube
- 4" x 4" x 1/4" Bottom Support Tube
- Grade 50 Steel Side Plates



All of our bale attachments feature heavy duty design and come standard with replaceable tines.

BALE SPEARS

Series 2

The Stinger Attachments Series 2 Bale Spear is designed to move medium to large round or square bales. The 2 spears are spaced 39" apart and works well for quick movement of round or square bales. This balespear offers great versatility for a combination of bale types and sizes.

Spear Options 39 in | 43 in | 49 in

Other Carrier Options Available

**Proper Ballast Required*



Series 3

The Stinger Attachments Series 3 Bale Spear is designed to move large square bales. This mover features 3 spears spaced evenly with an outer spacing of 52". This design penetrates and moves large square bales fast and efficiently.

Spear Options 39 in | 43 in | 49 in

Other Carrier Options Available

**Proper Ballast Required*



Features

- Conus 2 Lower Spears
- 7,000# Capacity
- Replaceable Spears (Double Nut)
- Safety Step
- 4" x 2" x 1/4" Top Support Tube
- 4" x 4" x 1/4" Bottom Support Tube
- Grade 50 Steel Side Plates



Features

- Conus 2 Lower Spears
- 10,500# Capacity
- Replaceable Spears (Double Nut)
- Safety Step
- 4" x 2" x 1/4" Top Support Tube
- 4" x 4" x 1/4" Bottom Support Tube
- Grade 50 Steel Side Plates

All of our bale attachments feature heavy duty design and come standard with replaceable tines.

Series 4

The Stinger Attachments Series 4 Bale Spear is designed for larger machines. It has the ability to move 2 large bales at a time to increase efficiency. The 61" spacing is designed for large square bales and the 100" spacing is designed for large round bales. This mover features 4 spears spaced evenly with an outer spacing of 61" or 100". This design penetrates and moves large square bales fast and efficiently.

Spear Options 39 in | 43 in | 49 in
61" or 100" Outer Spear Spacing
Optional Bolt-on Support for 2 square bales
Other Carrier Options Available
**Proper Ballast Required*



Features

- Conus 2 Lower Spears
- 14,000# Capacity
- Replaceable Spears (Double Nut)
- Safety Step
- 4" x 2" x 1/4" Top Support Tube
- 4" x 4" x 1/4" Bottom Support Tube
- Grade 50 Steel Side Plates

All of our bale attachments feature heavy duty design and come standard with replaceable tines.

COMPACT PALLET FORKS



The Stinger Attachments Compact Pallet Fork is a heavy-duty design. It is designed for compact tractors and smaller skid steers 20-50 hp with a loader lift capacity of 800-3000#. It features a strong, yet lightweight design that allows for maximum lift performance and convenience. Like the other products in our compact product line-up, this attachment features a bolt-on mount design allowing for flexibility with multiple carriers. The Stinger Attachments Compact Pallet Forks are a must have to complete your accessory package for your machine.

Fork Sizes 36" | 42" | 48"

Options 4000 lbs | 5500 lbs

Other Carrier Options Available

****Proper Ballast Required***



Features

- Fork Rating: 2900 lbs @ 20"
- Fork Length: 36", 42" or 48"
- Weight with 42" Forks: 300 lbs
- Carriage Width: 47"
- Carriage Height: 38"
- 1/2"x3" Machined Top Rail
- 3-Year Fork Warranty
- 2-Year Frame Warranty



PALLET FORKS

The Stinger Attachments exclusive pallet fork frame is second to none for strength and design. It features a heavy-duty design made of a 1.25" x 3" top carrier bar welded to a 3" x 2" structural tube and on the bottom a 1/2" x 3" plate welded to a 3" x 3" structural support tube. This makes for a super strong design. The frame also features a rear safety step and a wide-open walk-thru design with round tubing that serves as handles for an easy and safe passage for the operator.



Fork Sizes 48" | 60"

Options 4000 lbs | 5500 lbs

Other Carrier Options Available

**Proper Ballast Required*

Features

- 1.25" Fork Rail
- American Made Forks
- 1-Year Warranty
- Walk-Thru Frame
- Round Ergonomic Top Handle Rails
- Center Safety Step
- Carriage Width: 48"
- Total Height: 39"
- Total Weight: 470#



RECEIVER HITCH



The Stinger Attachments Receiver Hitch is the perfect complement to a skid steer or loader. It is extremely useful in moving a variety of implements or trailers quickly and efficiently without additional help. It offers ease in backing up wagons or trailers in hard to reach spots. The receiver hitch features a standard removable 2" receiver mount and storage for additional receivers or wagon pins. Everything you need is at your fingertips with this handy receiver hitch.

Other Carrier Options Available

****Proper Ballast Required***



Features

- Reinforced 2" Receiver Hitch
- Ball Hitch Mount
- Storage for additional Pins
- Storage for additional Receiver Hitches



COMPACT SNOW PUSHER

The Stinger Attachments Compact Snow Pusher is the perfect attachment for moving large amounts of snow quickly and easily. The rear rolled moldboard design effectively rolls the snow, enabling the operator to move more snow quickly. This pusher is intended for compact tractors and smaller skid steers 20-45 hp. This Pusher is a heavy-duty design that is built with the strength to last and perform, yet in a lightweight package that allows for maximum performance and convenience. The Stinger Attachments Compact Snow Pusher is a must have to complete your accessory package for your machine, making jobs easier and tasks enjoyable.



Sizes 48" | 60" | 72"

Options Steel Edge | Rubber Edge | Dragback | Quick Attach or John Deere 100-400 Series Carrier
Other Carrier Options Available

****Proper Ballast Required***

Features

- 20" x 20" Box
- 3/16" Grade 50 Moldboard
- 1/4" Side Plates
- Adjustable 1/2" Wear Skids
- Bolt-on 3/4" x 6" Cut Edge
- Bolt-on Carrier Options
- Total Weight: 485# (60")
- 2 Year Warranty



SNOW PUSHER



The Stinger Attachments Snow Pusher Extreme offers a fast and efficient method to move large amounts of snow quickly and easily by eliminating dump time. The pusher comes with steel or rubber cut edges and easily adjustable wear skids. It also features interior enclosed corner supports for added strength and ease of cleanout. The optional drag back works well to pull snow back from to hard-to-reach areas next to buildings and curves. This drag back features a tall edge to pull back large amounts of snow in one pass.

Sizes 6 ft | 7ft | 8ft | 9ft | 10ft

Options 3/4" x 6" Bolt-on Cutting Edge | Rubber Cut Edge

Other Carrier Options Available

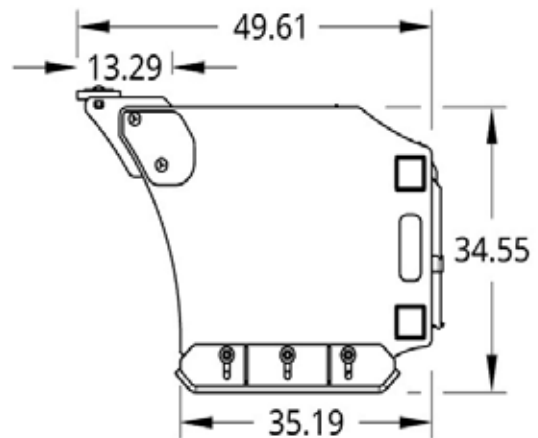
****Proper Ballast Required***

SPX Series



Features

- 3/16" Grade 50 Shell (1/4" Optional)
- 1/4" Reinforced Side Plates
- 30" x 30" Box
- Interior Enclosed Corner Supports
- Adjustable 3/4" Wear Skids
- Safety Steps



Product Specifications

Size	Box Size	Approx Weight
6'	30"x30"	1000 lbs
7'	30"x30"	1100 lbs
8'	30"x30"	1185 lbs
9'	30"x30"	1250 lbs
10'	30"x30"	1400 lbs

SNOW BUCKET

The Stinger Attachments Snow Bucket offers a high capacity with high strength. This bucket is designed to move large amounts of snow fast and efficiently. It has a top 4" x 2" tube and a rolled insert bottom-radius support for added reinforcement and easy cleanout. The sides are 1/4" thick and have 1/2" x 3" steel supports. These buckets also have a see-through design to allow the operator better visibility. to get the job done with speed and ease.



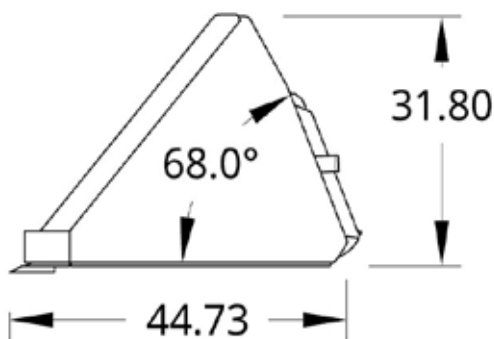
Sizes 6 ft | 7ft | 8ft | 9ft | 10ft

Options 3/4" x 8" Weld-on Cutting Edge | 3/4" X 6 Bolt-on Cutting Edge
Other Carrier Options Available

***Proper Ballast Required**

Features

- 3/16" Grade 50 Shell
- Interior 4" x 2" Reinforcement Tube
- 1/4" Sides with 1/2" x 3" Supports
- 1/2" x 4" Underside Wear Bars
- See-through Design
- Rolled Insert for Strength and Cleanout
- Safety Step




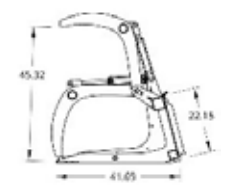
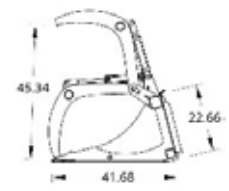


SNB Series



Product Specifications

Size	Approx lbs (Bolt on)	Struck Capacity (CU FT)	Heap Capacity (CU FT)	Back Angle	# of 1/2" Wear Bars
6'	850 lbs	25.8	32.3	70 deg	4
7'	900 lbs	30	37.5	70 deg	4
8'	1025 lbs	34.4	43	70 deg	4
10'	1150 lbs	36.5	45.6	70 deg	5

Skidsteer & Utility Tractor Grapple Guide

Single Rock Grapple RG	Open Rock Single Grapple ROG	Open Rock Grapple RG	Open Rock Grapple ROG	Root & Rock Grapple RRG
				
HP Rating	HP Rating	HP Rating	HP Rating	HP Rating
45+	45+	60+ hp	60+ hp	55+ hp
Tine Shape	Tine Shape	Tine Shape	Tine Shape	Tine Shape
Curved	Flat	Curved	Flat	Flat
Tine Spacing	Tine Spacing	Tine Spacing	Tine Spacing	Tine Spacing
3"	3"	3"	3"	6"
Best Use	Best Use	Best Use	Best Use	Best Use
Rock Brush Stumps Roots Firewood	Rock Brush Stumps Roots Firewood Logs	Rock Brush Stumps Roots Firewood	Rock Brush Stumps Roots Firewood Logs	Large Rock Brush Stumps Roots Firewood Logs
Weight	Weight	Weight	Weight	Weight
48" (580#)	48" (580#)	48" (580#) 60" (884#) 66" (930#) 72" (985#) 78" (1030#) 80" (1050#) 84" (1075#) 88" (1105#)	60" (860#) 66" (903#) 72" (965#) 78" (1005#) 80" (1035#) 84" (1055#) 88" (1082#)	60" (726#) 66" (760#) 72" (792#) 78" (820#)

Bale Spear Reference Chart

	BSS	BS1	BS2	BS3	BS4-61	BS4-100
Weight Capacity	3500#	10,500#	7000#	10,500#	14,000#	14,000#
Large Square		●	●	●	●	
2 Large Square					●	
Large Round	●	●	●	●	●	●
2 Large Round						●

Skidsteer & Utility Tractor Grapple Guide

Root Grapple RTG	Brush Grapple Extreme Duty RTG-XD	Demolition Grapple DG	Manure Spear Grapple MSG	Manure Tine Grapple MTG
HP Rating	HP Rating	HP Rating	HP Rating	HP Rating
55+ hp	65+ hp	55+ hp	50+ hp	50+ hp
Tine Shape	Tine Shape	Tine Shape	Tine Shape	Tine Shape
Hooked	Flat	N/A	N/A	N/A
Tine Spacing	Tine Spacing	Tine Spacing	Tine Spacing	Tine Spacing
9"	6"	Solid	8"	8"
Best Use	Best Use	Best Use	Best Use	Best Use
Brush Stumps Roots Firewood Logs	Large Rock Brush Stumps Roots Firewood Logs	Scrap Dirt Gravel Trash Firewood	Bed Pack Bedding Brush Roots Logs	Bed Pack Bedding Brush Roots Logs
Weight	Weight	Weight	Weight	Weight
66" (746#) 75" (795#) 85" (843#)	78" (1075#) 84" (1150#) 91" (1225#)	60" (900#) 66" (930#) 72" (960#) 78" (990#) 84" (1030#)	60" (830#) 66" (870#) 76" (910#) 80" (950#)	68" (875#) 78" (925#) 84" (1050#)

Material Bucket Reference Chart

Series 1	Series 2	Series 3	Series 4



507.273.7497
StingerAttachments.com